



Origo™ Tech Football Edition

ESAB is happy to announce this special Origo Tech Football helmet for the 2010 South African World Cup. The classic football design is a limited edition from the standard black & yellow Origo Tech shell.

To allow individual branding for each country, the helmet will be delivered with country flag stickers to enable the user to personalise the helmet with the flag* of their choice.

* delivery with all flags listed below.



Flags Included:

Argentina	Mexico
Australia	Netherlands
Brazil	Norway
Chile	Portugal
Denmark	Slovakia
England	Spain
Finland	Sweden
France	Switzerland
Germany	Italy

Helmet Features

- Full Face Protection
- Top Brow
- High Gloss Finish
- Unique Football Design
- Extremely Durable & Reliable
- Solar Cell Technology
- Light Seal Cradle



Technical Data

Viewing area 96 x 42 mm
Weight (ADF) 99g with inner protection lens
Total Weight Helmet – 525g
Open state shade 4
Closed state shade 9-13
Shade adjustment – External Potentiometer
Sensitivity adjustment – Internal Variable
Delay adjustment – Internal Variable
Switching time at -5°C : 0.0008ms
Switching time at +25°C : 0.0005ms
Switching time at +55°C : 0.0002ms
Clearing time : 0.1 – 1.0s
UV / IR Protection : UV15 / IR14
Temperature Range : -5 / +55 Degrees C
TIG detection : >20amps
Energy supply – Solar Cells / No battery charge

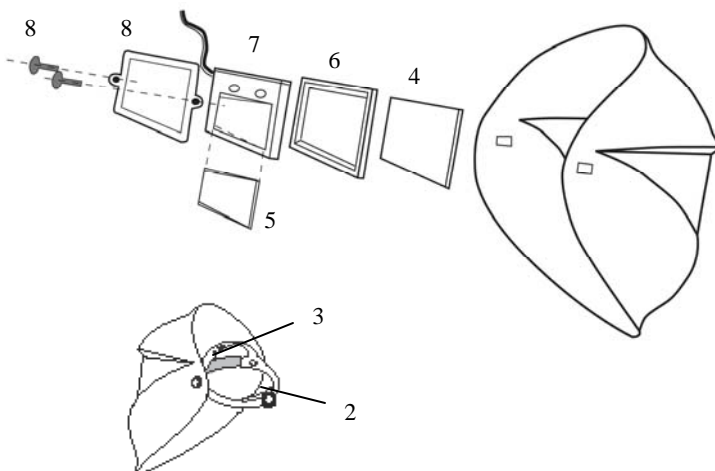


Ordering Information

Origo-Tech World Cup Helmet 0700 000 304

Spare Parts

2 ESAB Head Gear Pro	0700 000 243
3 Sweat Band Head Gear Pro	0700 000 244
4 Front Cover Lens Origo-Tech	0700 000 245
5 Inside Cover Lens Origo-Tech	0700 000 246
6 ESAB 9-13 ADF Cradle	0700 000 235
7 ESAB VS ADF 9-13	N/A
8 Lens Retainer with Screws	0700 000 237



Quality accessories for the quality welder
ESAB offers a wide range of accessories. The complete range, along with product information, is available at our local web-sites, look at www.esab.com or contact your local ESAB dealer.

Unrivalled service and support
Our commitment and ability to deliver the expected service and support starts immediately after the order is confirmed. We endeavour to offer our customers an After Sales service, which is second to none. A strong and skilful service organisation is prepared to offer service and maintenance, calibration, validation and upgrading of equipment and software.

The service organisation will offer standardised solutions for the reconditioning or modification of existing products.

Spare and wear parts are manufactured according to ESAB's quality plan. Exchange Printed Circuit Board (PCB), exchange modules and components are available for all our products in order to reduce downtime to an absolute minimum. ESAB is continuously upgrading authorised service partners for local service support. Customers who have their own service and maintenance personnel will always be offered a service-training package as part of a total ESAB offering. However, product and process training for end-users will form an additional part of the ESAB offering. Always ask your ESAB sales representative or distributor for a complete ESAB solution.



ESAB Sverige AB
Box 8004
402 77 GÖTEBORG
Tel. 031 50 95 00
Fax 031 50 92 22
www.esab.se

